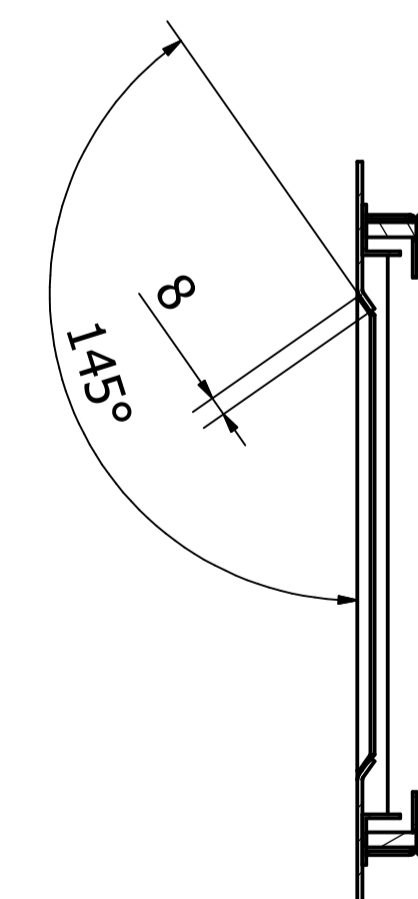
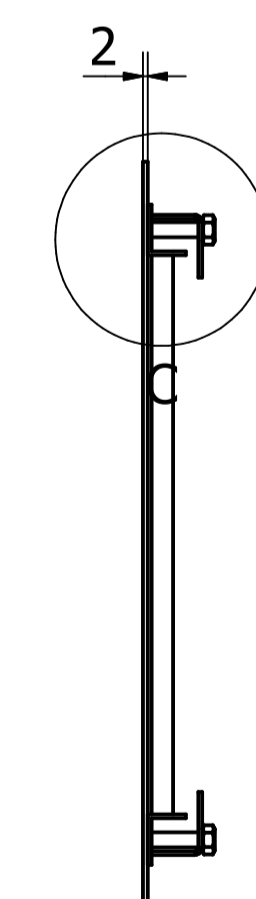
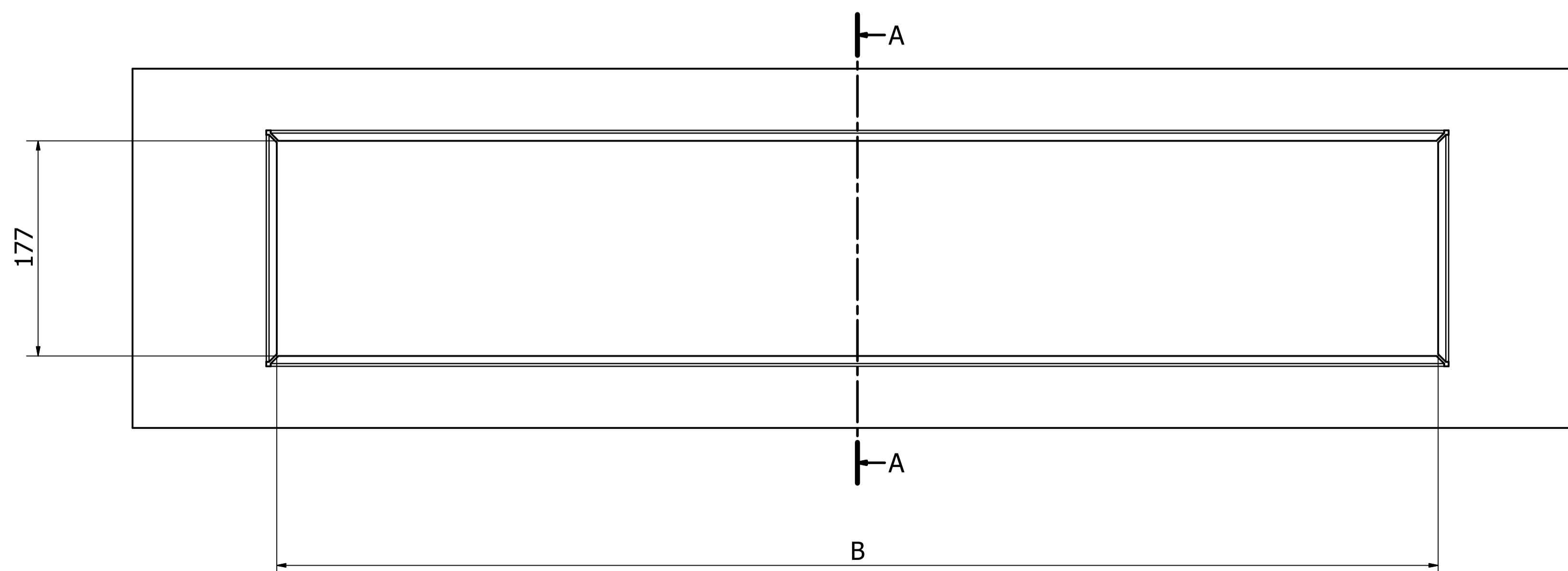
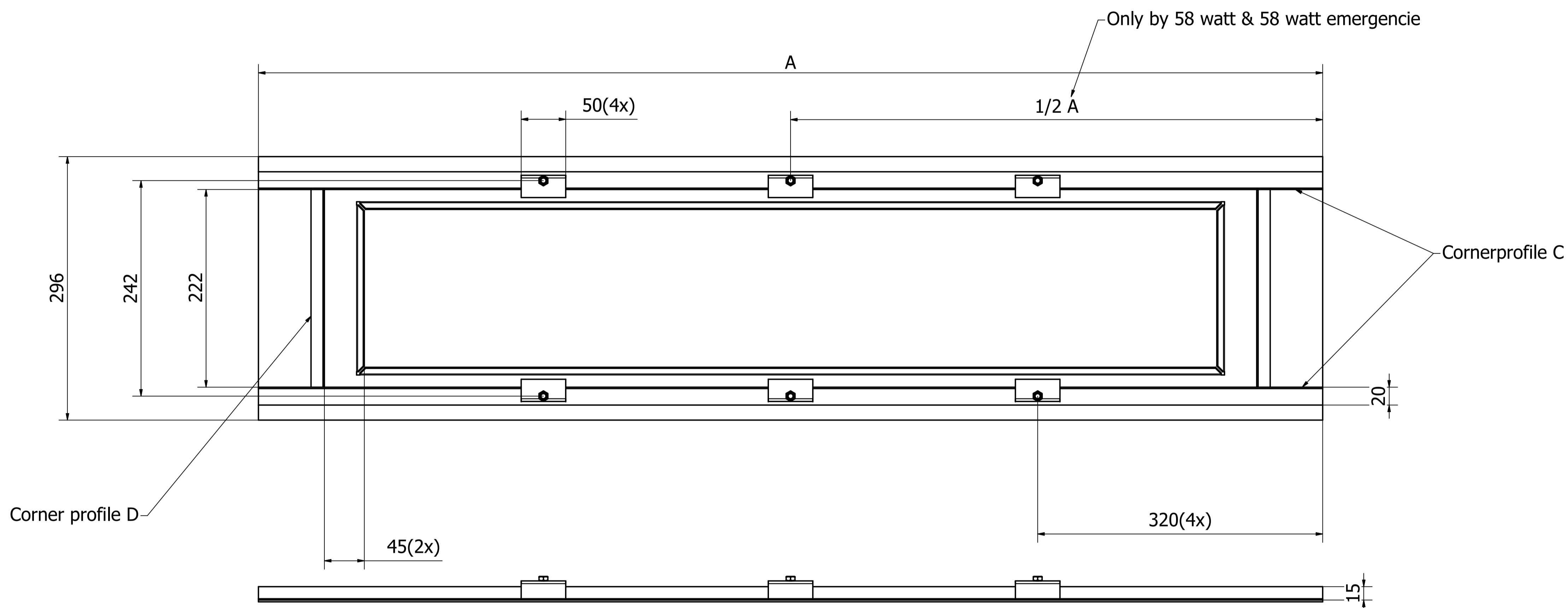
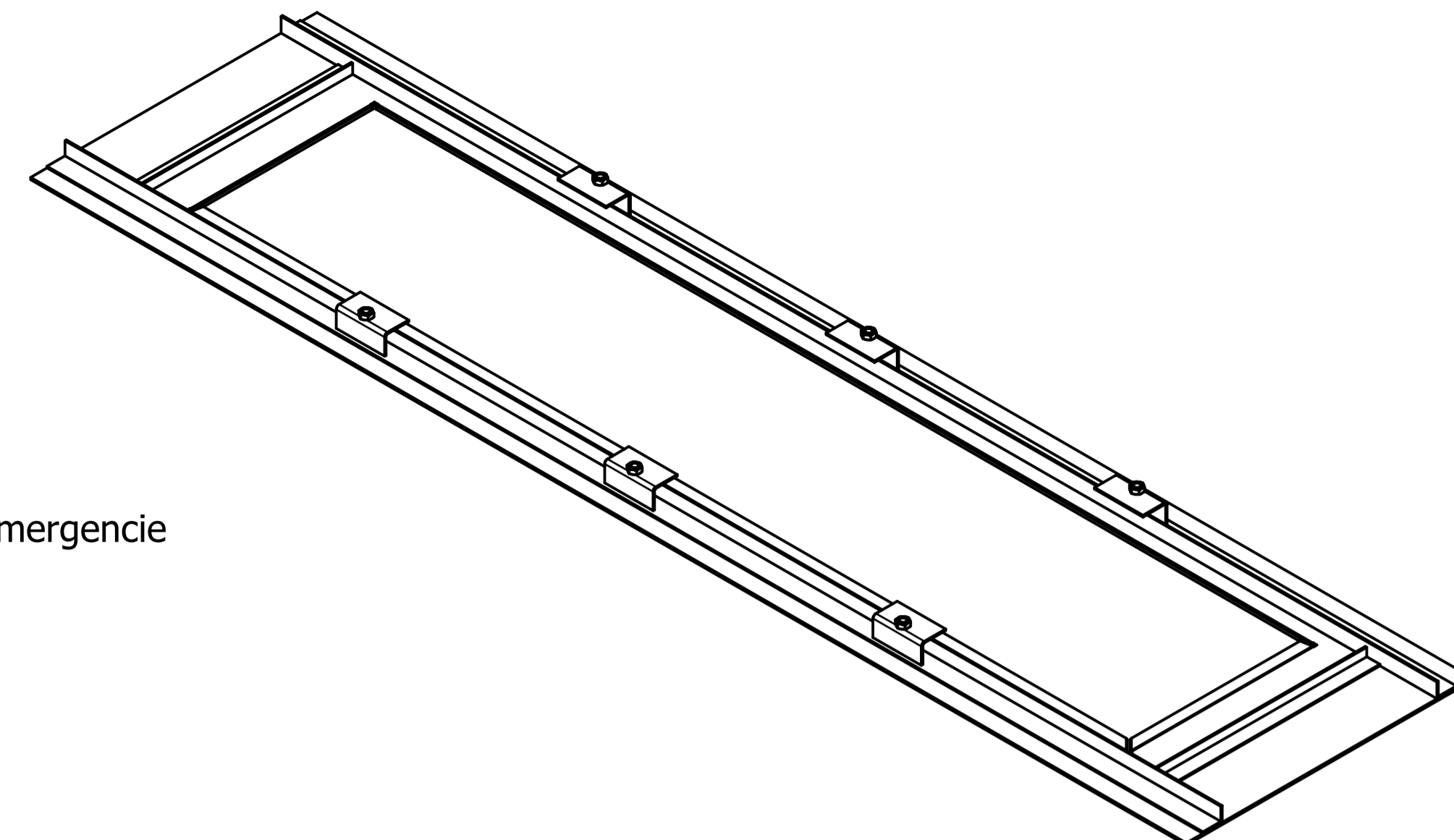
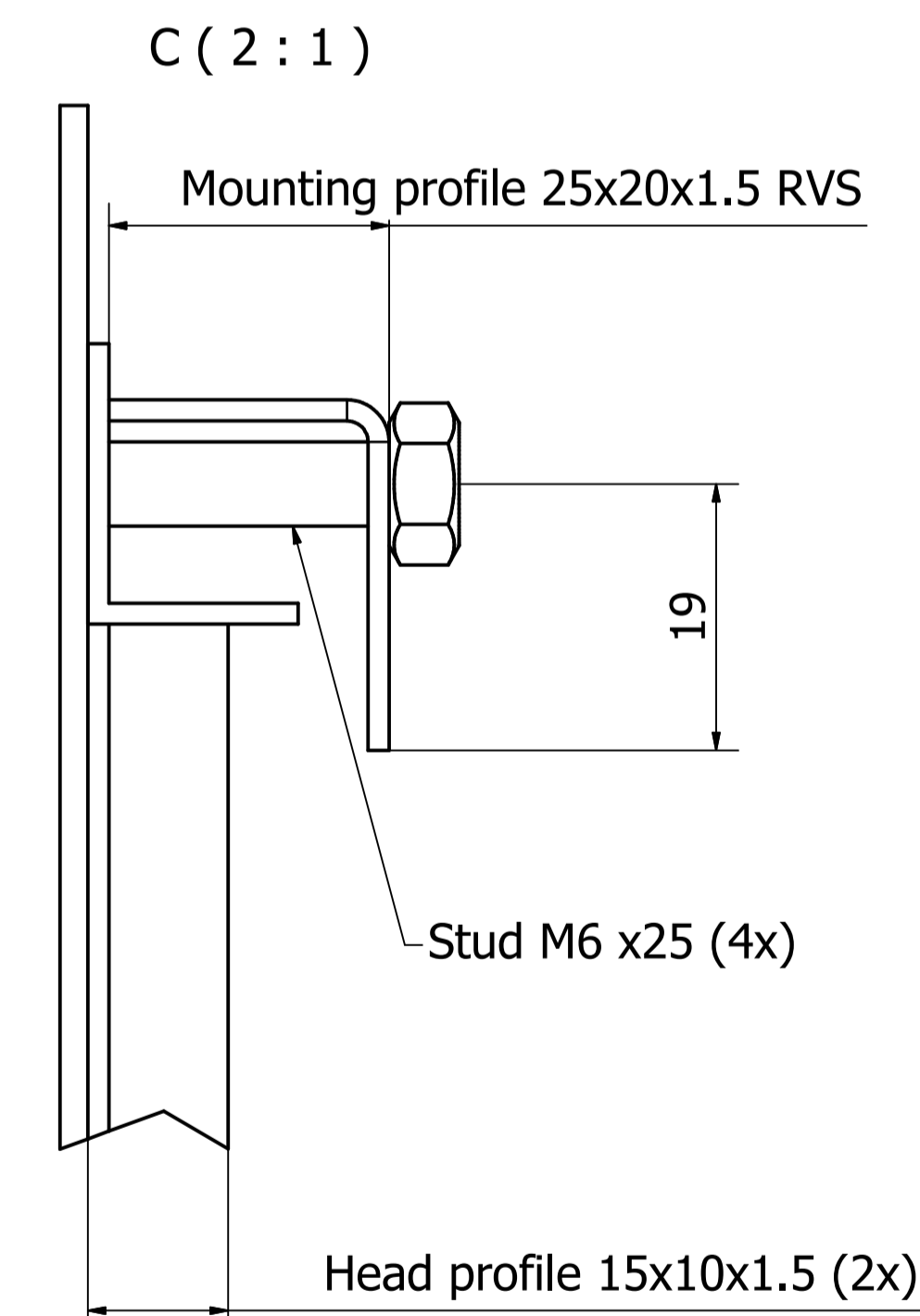


Dimension TABLE				
Lamp	Dimension A	Dimension B	Corner profile C 20x15x1.2	Weight
18 watt	817 mm	576 mm	817 (2x)	
18 watt Emergencie	998 mm	757 mm	998 (2x)	
36 watt	1426 mm	1185 mm	1426 (2x)	
36 watt Emergencie	1426 mm	1185 mm	1426 (2x)	
36 watt short	1195 mm	957 mm	1195 (2x)	
58 watt	1726 mm	1486 mm	1726 (2x)	
58 watt Emergencie	1726 mm	1486 mm	1726 (2x)	



A-A (1 : 3)



REVISION HISTORY			
RE	DESCRIPTION	DATE	APPROVED
0		27-10-2013	BvB
1	Changed drawing	23-08-2016	BvB

 <b>TECHNED</b> <b>BENELUX</b> <i>Built for safety &amp; durability</i>	Name: Frame TNAML recessed mounting		Roughness 3.2 / 0.5 / 0.5* <small>if not shown</small>
	Drawing Nr. General	A 1	Scale: 1 : 4
Copyright: TechNed Benelux BV	Ordernr.	Date: 27-10-2013	Chk:
File:	Customer:		Sheet: 1/1
<small>TechNed® Benelux BV Veersteeg 15 4212 LR Spijk The Netherlands          This drawing is not published. It is the sole property of TechNed® Benelux BV. It is lent to the recipient for his confidential use only and upon the conditions agreements following in consideration of the loan of this drawing, the recipient promises and agrees to return it upon request and that it shall not be reproduced, copied, lent or otherwise disposed of, directly or indirectly without the written consent of TechNed® Benelux BV not be used in any way to the interest of TechNed® Benelux BV.</small>			